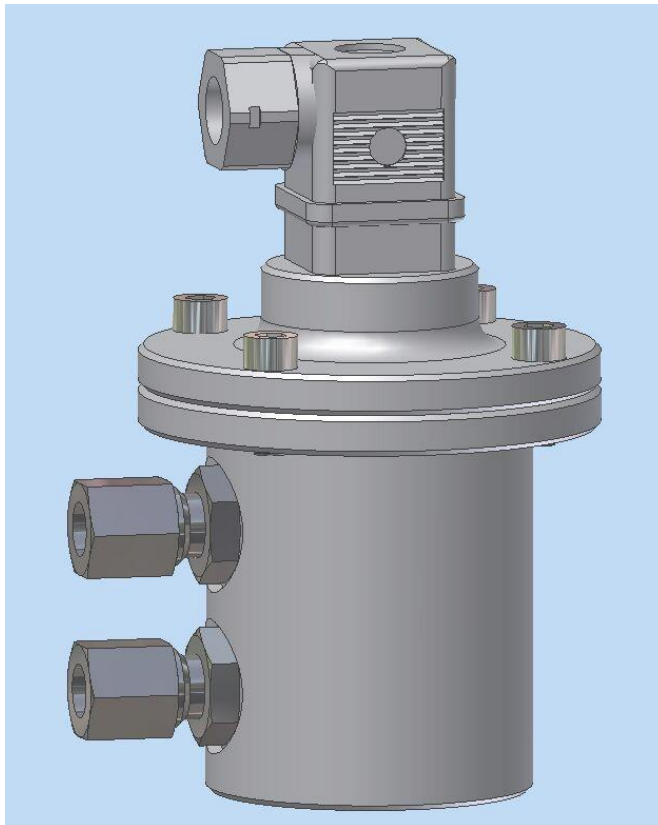




Data sheet

TYP: BPS-DUR1/8"-PMO/S-L44-BU25
 REED-CONTROL COMPONENT WITH LEVEL-SWITCH

Reed Artikel Nr.: 14583



Technische Daten

Housing::	POM 2 Adapter (nickel-plated) for metric tube Ø10x1 mm Draining of plug made of POM Gasket made of neoprene
Electr. connection:	Durethan coupler plug (4 pin)
Level-Switch:	Housing made of POM Float made of Buna (NBR)
Switching function:	NC with inverse function Switching capacity max. 10W Switching voltage max. 230VAC
Temperature:	-30°C up to max. +80°C
Protection:	IP68/ plug IP65
Medium density:	min. 0.7g/cm3
Pressure:	at atmospheric pressure
Installation position:	Vertical ±30°
Wiring	

!! Important - Important - Important - Important - Important - Important - Important - Important - Important !!

General: A float switch functioned dead and is potential-free. A reed contact pored in the Slide tube reacts itself on the magnets in the float.
 Contact rating: During inductive one (e.g. pumps, single solenoid valves... etc.) or capacitive (e.g. SPS/control entrances... etc.) reading a suitable protective circuit is to be planned in each case. **Clarify these details please preceding with your technology!**



