

DMP 334i



Precision-Pressure Transmitter for High Pressure

Thinfilm Sensor

accuracy according to IEC 60770:
0.1 % FSO

Nominal pressure

from 0 ... 600 bar up to 0 ... 2200 bar

Analogue output

2-wire: 4 ... 20 mA
others on request

Special characteristics

- ▶ welded pressure sensor
- ▶ turn-down 1:10
- ▶ excellent accuracy
- ▶ robust and long-term stable

Optional versions

- ▶ communication interface for adjusting offset, span and damping
- ▶ pressure port
M20 x 1.5 or 9/16 UNF
- ▶ different kinds of electrical connections

The precision pressure transmitter DMP 334i is a consistent further development of the approved industrial pressure transmitter DMP 334. Basic element is a thinfilm sensor which is welded with the pressure port.

The integrated digital electronics compensates actively sensor specific deviations like non-linearity and thermal error.

It is therefore possible to offer a high pressure transmitter with excellent metrological qualities.

Preferred areas of use are



Plant and machine engineering
Test benches



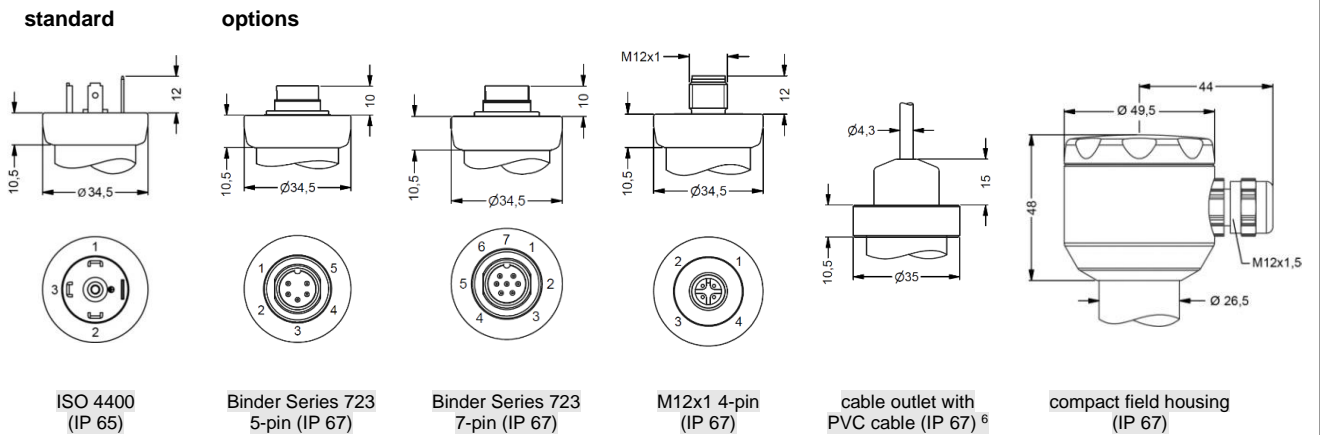
Commercial vehicles and
mobile hydraulics



Pin configuration		ISO 4400	Binder 723 (5-pin)	Binder 723 (7-pin)	M12x1/ metal (4-pin)	compact field housing	cable colours (IEC 60757)
Electrical connections	Supply +	1	3	3	1	IN +	WH (white)
	Supply -	2	4	1	2	IN -	BN (brown)
	Shield	ground pin \oplus	5	2	4	\oplus	GYNE (green-yellow)
Communication interface ⁵	RxD	-	-	4	-	-	-
	TxD	-	-	5	-	-	-
	GND	-	-	7	-	-	-

⁵ may not be connected directly with the PC (the suitable adapter is available as accessory)

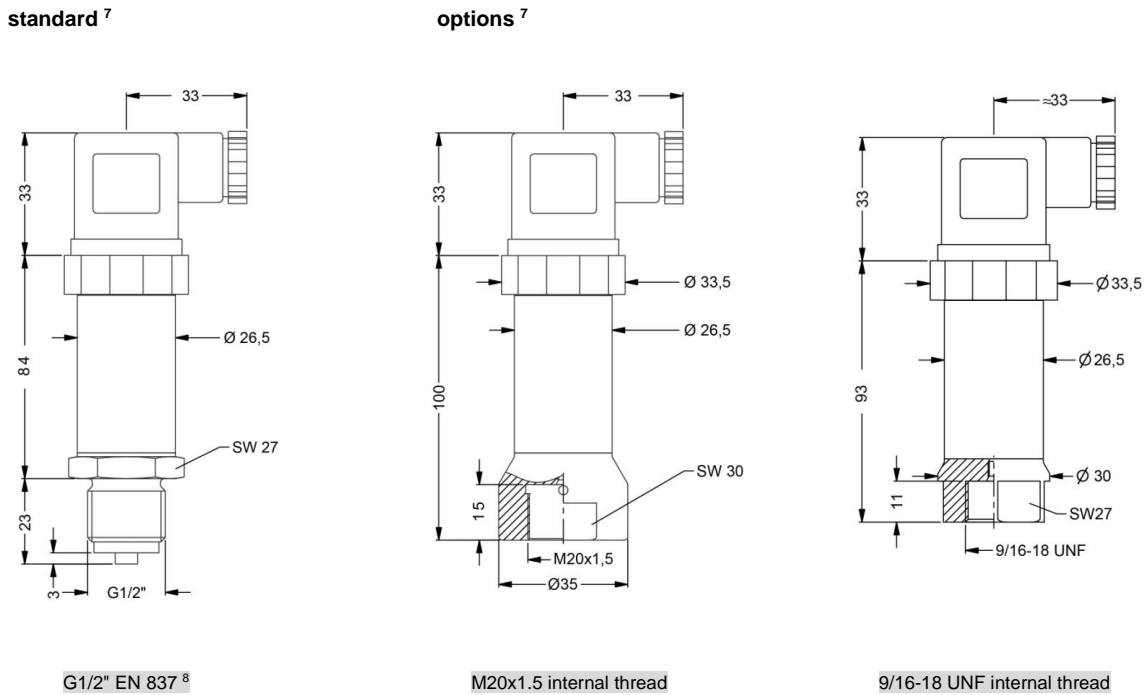
Electrical connections (dimensions in mm)



⇒ universal field housing in stainless steel 1.4404 (316 L) with cable gland M20x1.5 (ordering code 880) and other versions on request

⁶ standard: 2 m PVC cable (without ventilation tube, permissible temperature: -5 ... 70 °C)

Mechanical connection (dimensions in mm)



⁷ adjustable version is only possible in combination with Binder Series 723, 7 pin

⁸ According to EN 837, the pressure port and the complement at pressure over 1000 bar must be preferably made of stainless steel with a tensile strength of $R_p > 260 \text{ N/mm}^2$ in accordance with DIN 17440. The maximum allowed pressure is 1600 bar!

© 2021 BD|SENSORS GmbH – The specifications given in this document represent the state of engineering at the time of publishing. We reserve the right to make modifications to the specifications and materials.

