

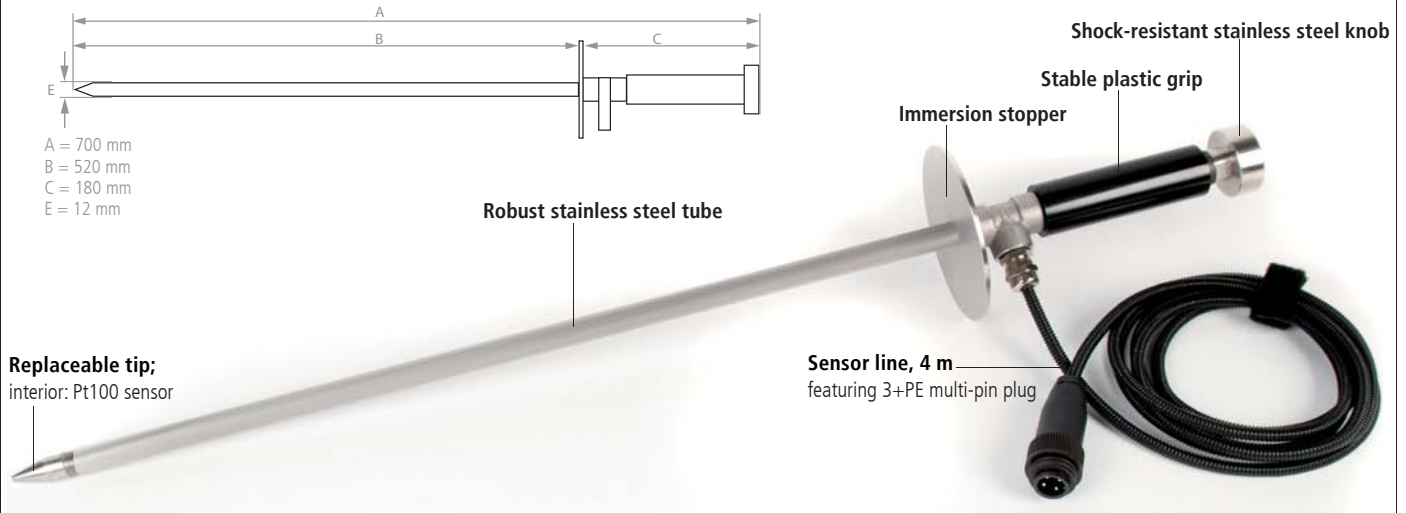
WFXX1004 FLORETT SENSOR FOR MEASURING THE TEMPERATURE OF THE MEDIUM

Application

The floret sensor is suitable for all types and makes of 220 l drums. The Pt100 sensor in the tip of the sensor easily connects to the WRW-200 controller-limiter combination to provide point-precise temperature measurement.

The Pt100 sensor (2 conductors) switches the drum heater off after reaching the desired medium temperature and protects the medium against overheating and thermal damage.

Structure



Original may deviate from illustration

Features and benefits

Shock-resistant stainless steel knob	→ very well-suited for secure insertion of the sensors into firm (granulate, powder, wax, oils) and crystalline media
Stable plastic grip	→ Heat contact protection
Immersion stopper	→ limits the immersion depth of the floret sensor
Stainless steel tube	→ very well-suited to aggressive media
Removable tip with integrated sensor	→ easy replacement of the Pt100 sensor

Application

